



SmartGen
ideas for power

HOC300

**OVER CURRENT PROTECTION RELAY
MULTIFUNCTIONAL PROTECTION MODULE**

USER MANUAL



SMARTGEN (ZHENGZHOU) TECHNOLOGY CO.,LTD.



Chinese trademark

SmartGen English trademark

Smartgen — make your generator *smart*

Smartgen Technology Co., Ltd

No. 28 Jinsuo Road

Zhengzhou City

P. R. China

Tel: +86-371-67988888

+86-371-67981888

+86-371-67991553

+86-371-67992951

+86-371-67981000 (overseas)

Fax: 0086-371-67992952

Web: <http://www.smartgen.com.cn>

<http://www.smartgen.cn>

Email: sales@smartgen.cn

All rights reserved. No part of this publication may be reproduced in any material form (including photocopying or storing in any medium by electronic means or other) without the written permission of the copyright holder.

Smartgen Technology reserves the right to change the contents of this document without prior notice.

Version history

Date	Version	Content
1.0	2014-08-07	Original release.
1.1	2014-10-09	Rename the product.
1.2	2015-03-24	Add "Multifunctional Protection Module" to the name



CONTENT

1 OVERVIEW	4
2 PERFORMANCE AND CHARACTERISTICS	4
3 TECHNICAL PARAMETERS	4
4 PANEL BUTTON DESCRIPTION.....	5
5 FUNCTION DESCRIPTION.....	6
6 SCOPES AND DEFINITIONS OF PROGRAMMABLE PARAMETERS	7
7 TYPICAL DIAGRAM	8
8 INSTALLATION DIMENSIONS	10

SmartGen



1 OVERVIEW

HOC300 over current protection relay is widely used in marine genset field and land genset field.

HOC300 over current protection relay detects load current accurately. Over current trip or pre-trip relay outputs and alarm protection activates when the load current has exceeded the set value.

2 PERFORMANCE AND CHARACTERISTICS

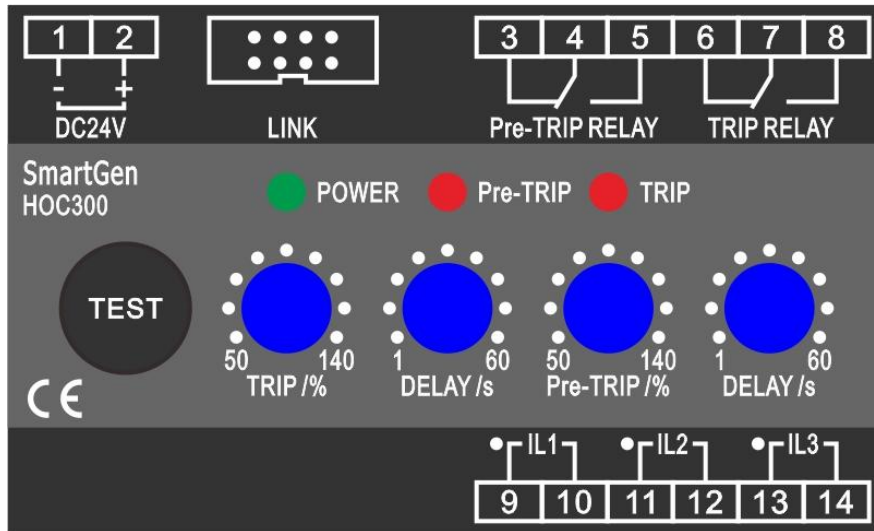
- Suitable for 3-phase 4-wire, 3-phase 3-wire, single phase 2-wire, and 2-phase 3-wire systems with frequency 50/60/400Hz;
- Detects load current accurately.
- Adjustable potentiometer allows for set value adjusting and delay value setting.
- relay output;
- One test button, test the over current trip/pre-trip relay and indicator.
- Widely power supply range DC(8~35)V, suitable to different starting battery voltage environment;
- 35mm guide rail mounting.
- Modular design, pluggable terminal, compact structure with easy installation;

3 TECHNICAL PARAMETERS

Parameter	Details
Working Voltage	DC8. 0V to 35. 0V, continuous power supply
Overall Consumption	<0.9W (Standby mode: ≤0.28W)
Pre-Trip Relay Output	5A AC250V Volts free output
Trip Relay Output	5A AC250V Volts free output
Case Dimensions	89.7mm x 71.6mm x 60.7mm
CT Secondary Current	Rated 5A
Working Conditions	Temperature: (-25~+70)°C Humidity: (20~93)%RH
Storage Conditions	Temperature:(-25~+70)°C
Insulation Intensity	Apply AC2.2kV voltage between high voltage terminal and low voltage terminal; The leakage current is not more than 3mA within 1min.
Weight	0.24kg



4 PANEL BUTTON DESCRIPTION



Description of terminal connection:

NO.	Functions		Cable Size	Remark
1	B-		1.0mm ²	Connected with negative of starter battery.
2	B+		1.0mm ²	Connected with positive of starter battery.
3	Pre-TRIP RELAY	Normally Open	2.5 mm ²	Normally open; Volts free output; 5A Rated
4		COM		
5		Normally Open		
6	TRIP RELAY	Normally Close	2.5 mm ²	
7		COM		
8		Normally Open		
9	IL1	Dotted Terminals	1.5 mm ²	CT A-phase input; Externally connected to secondary coil of current transformer (rated 5A).
10				
11	IL2	Dotted Terminals	1.5 mm ²	CT B-phase input; Externally connected to secondary coil of current transformer (rated 5A).
12				
13	IL3	Dotted Terminals	1.5 mm ²	CT C-phase input; Externally connected to secondary coil of current transformer (rated 5A).
14				
LINK Port	Used for parameters setting.			



5 FUNCTION DESCRIPTION

Item	Description
Power Indicator	Power supply indicator; It is illuminated when the relay is powered up. (green light)
Pre-Trip Indicator	It flashes once per second when the load current has exceeded the set value and Pre-TRIP indicator light on when the delay timer has expired. The indicator extinguished after current returns to normal. (red light)
Trip Indicator	It flashes once per second when the load current has exceeded the set value and TRIP indicator light on when the delay timer has expired. The indicator extinguished after current returns to normal. (red light)
TEST Button	Pressing and holding the button for 3 seconds, the Pre-Trip relay and Pre-Trip indicator output; Press the button and release the button, within 1 second, again press it for 3 seconds, Trip relay and Trip indicator output.
TRIP /% Over Current Trip Set Value	Used for adjusting over current set value. Range: (50~140)%; Setting value is the percentage of rated current value(5A).
DELAY /s Delay Value Potentiometer	Used for adjusting over current action delay value. Range: (1~60)s
Pre-TRIP /% Pre-Trip Set Value	Used for adjusting pre-trip set value. Range: (50~140)%; Setting value is the percentage of rated current value(5A).
DELAY /s Delay Value Potentiometer	Used for adjusting delay value. Range: (1~60)s



6 SCOPES AND DEFINITIONS OF PROGRAMMABLE PARAMETERS

No.	Items	Parameters	Defaults	Description
1	AC System	(0-3)	0	0: 3P4W, 1: 3P3W 2: 2P3W, 3:1P2W
2	CT Ratio	(5-6000)/5	500	
3	Full Load Rated Current	(5-6000)A	500	
4	Communication Address	(1-254)	1	

PC Program:

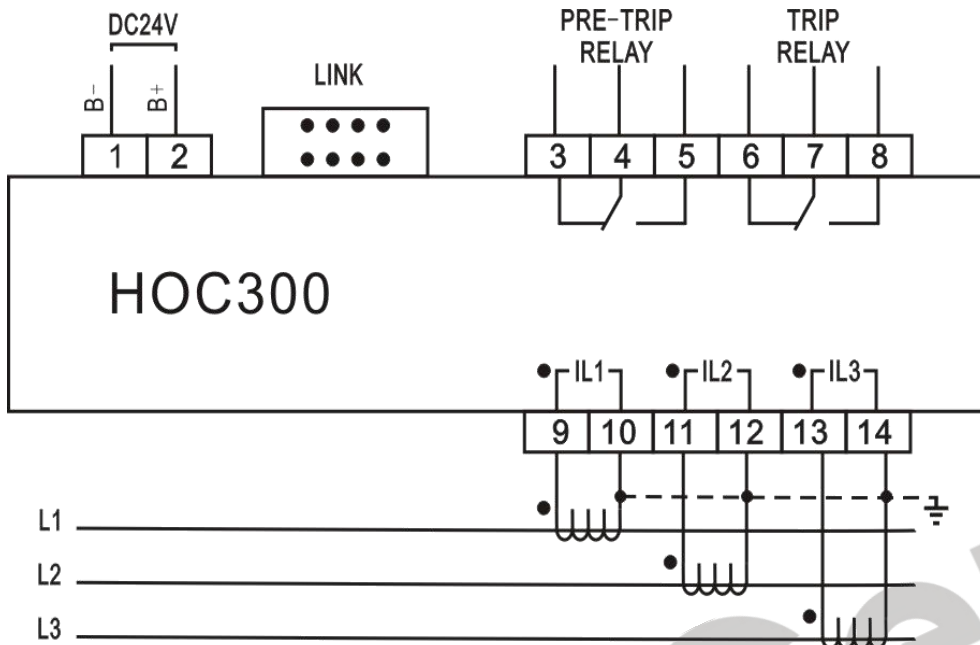
Parameters setting and real-time monitoring can be implemented via LINK port by using PC software and an SG72 adapter which produced by our company. As follows:



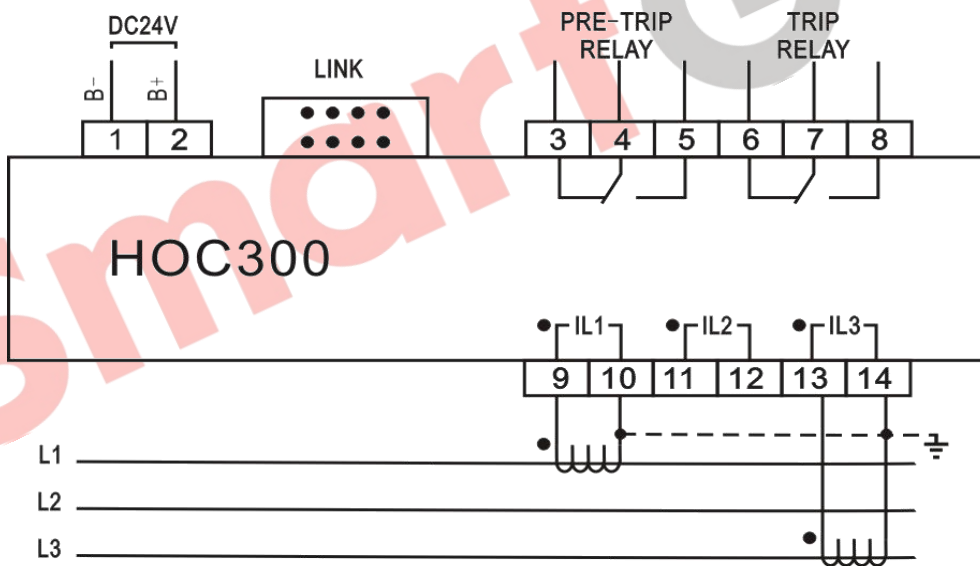


7 TYPICAL DIAGRAM

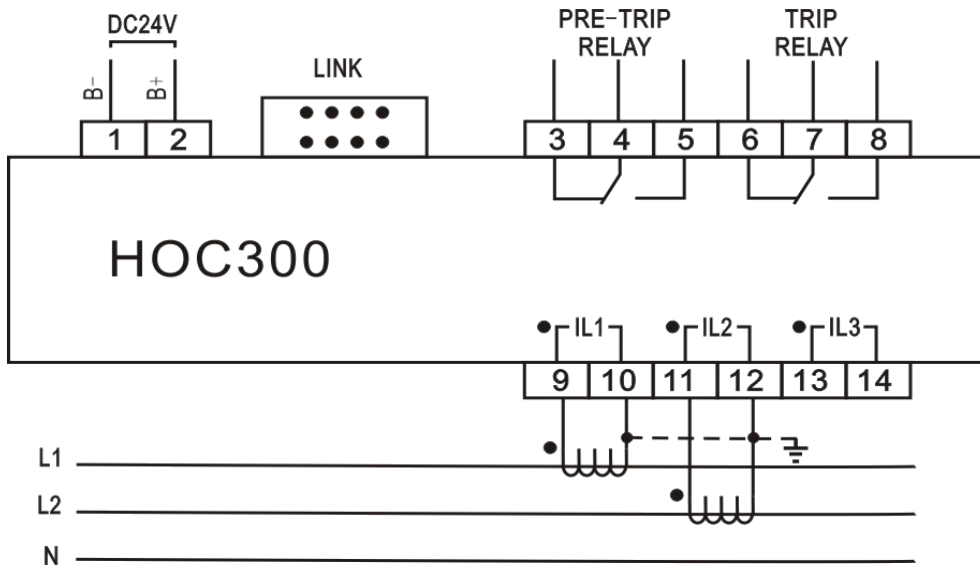
3 Phase 4 Wire



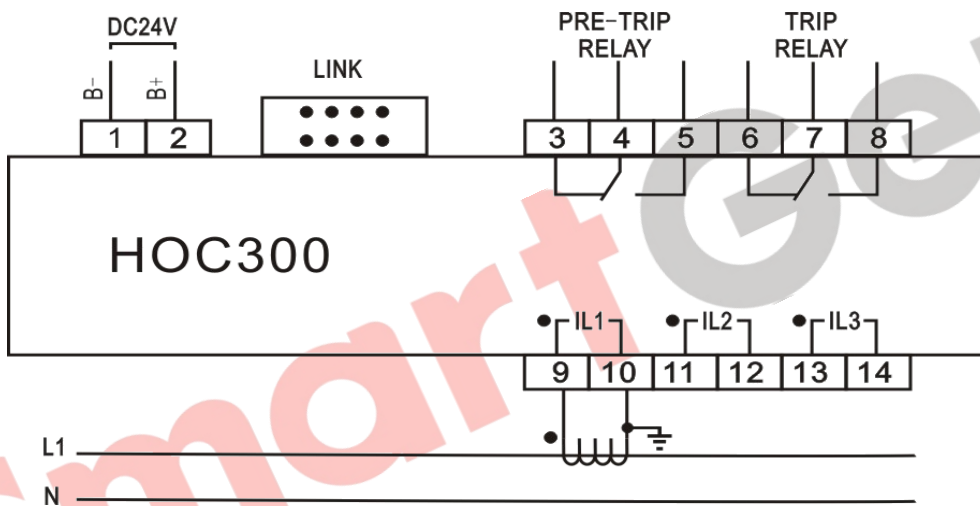
3 Phase 3 Wire



2 Phase 3 Wire

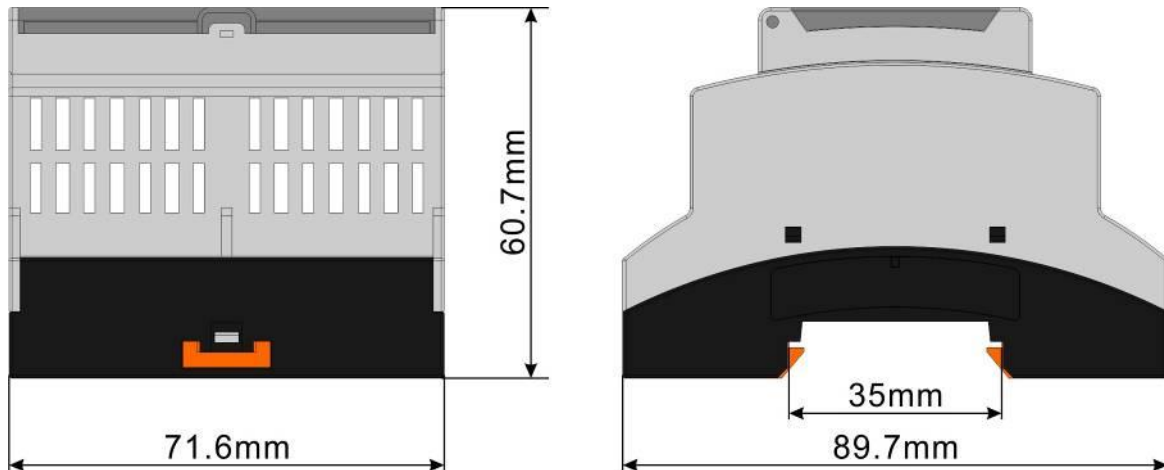


Single Phase 2 Wire





8 INSTALLATION DIMENSIONS



1) Output And Expand Relays

All outputs are relay contact output type. If need to expand the relays, please add freewheel diode to both ends of expand relay's coils (when coils of relay has DC current) or, add resistance-capacitance return circuit (when coils of relay has AC current), in order to prevent disturbance to controller or others equipment

2) AC Input

Current input must be connected to outside current transformer. And the current transformer's secondary side current must be 5A.

▲ Note: When there is load current, transformer's secondary side prohibit open circuit.

3) Withstand Voltage Test

▲ **CAUTION!** When relay had been installed in control panel, if need the high voltage test, please disconnect relay's all terminal connections, in order to prevent high voltage into relay and damage it.