

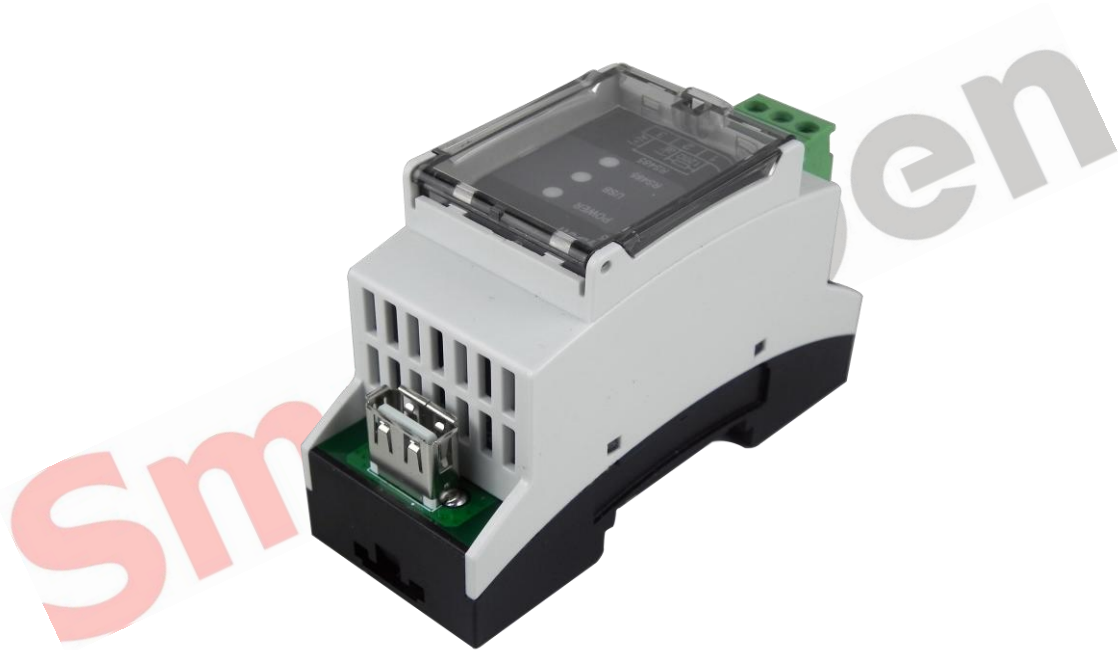


SmartGen
ideas for power

SGUE485

COMMUNICATION INTERFACE CONVERSION MODULE

USER MANUAL



SMARTGEN (ZHENGZHOU) TECHNOLOGY CO., LTD.



Chinese trademark

SmartGen English trademark

SmartGen — make your generator *smart*

SmartGen Technology Co., Ltd.

No.28 Jinsuo Road

Zhengzhou

Henan Province

P. R. China

Tel: 0086-371-67988888/67981888

0086-371-67991553/67992951

0086-371-67981000(overseas)

Fax: 0086-371-67992952

Web: <http://www.smartgen.com.cn>

<http://www.smartgen.cn>

Email: sales@smartgen.cn

All rights reserved. No part of this publication may be reproduced in any material form (including photocopying or storing in any medium by electronic means or other) without the written permission of the copyright holder.

Applications for the copyright holder's written permission to reproduce any part of this publication should be addressed to Smartgen Technology at the address above.

Any reference to trademarked product names used within this publication is owned by their respective companies.

SmartGen Technology reserves the right to change the contents of this document without prior notice.

Software Version

Date	Version	Note
2017-02-27	1.0	Original Release

Contents

1	OVERVIEW	4
2	PRODUCT FEATURES	4
3	TECHNICAL PARAMETERS	4
4	TERMINALS DESCRIPTION.....	5
5	TYPICAL APPLICATION.....	6
6	CASE DIAMENTSIONS AND INSTALLATION.....	7

SmartGen

1 OVERVIEW

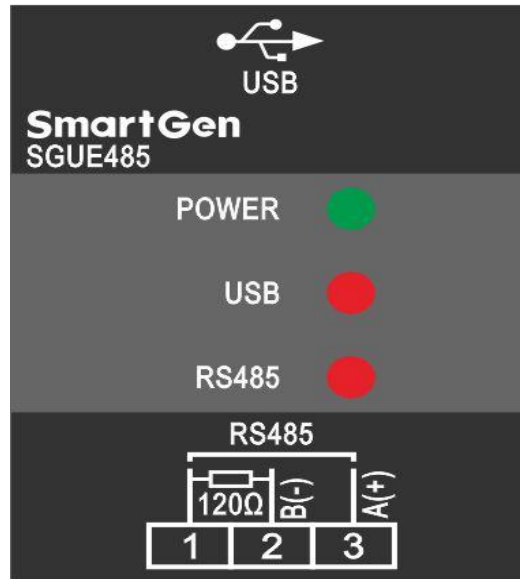
SGUE485 Communication Interface Conversion Module can convert the communication interface from USB (SmartGen special) to isolated standard RS485. The module integrated RS485 interface chip which enable it to connect to RS-485 network.

2 PRODUCT FEATURES

- RS485 network can connect to maximum 32 nodes;
- Isolation Voltage: reach up to DC1000V;
- 35mm DIN-Rail Mounting;
- Modular design with pluggable terminals, compact structure and easy to installation.

3 TECHNICAL PARAMETERS

Item	Content
Operation Voltage	Controller USB port (5.0 V) continuous power supply
RS485 Port	Baud Rate: 9600bps Stop Bit: 1bit Parity Bit: none
Case Dimension	89.7*35.6*60.7mm(L*W*H)
Working Condition	Temperature: (-25~+70)°C Relative Humidity: (20~93)%
Storage Condition	Temperature: (-25~+70)°C
Weight	0.072kg

4 TERMINALS DESCRIPTION


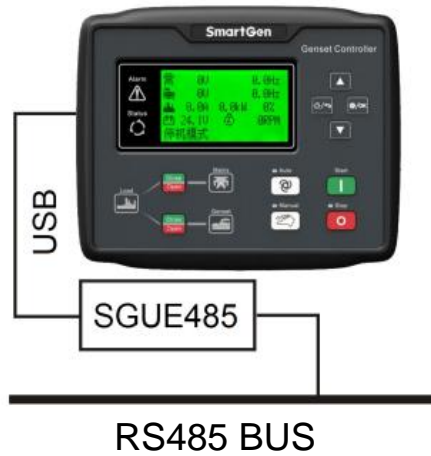
SGUE485 Panel

Terminals description,

Terminal	Function	Cable Size	Remark
1.	COM	0.5mm ²	Communicate with host controller's RS485 port, baud rate: 9600bps. When communication is normal, RS485 indicator flashes.
2.	B(-)		
3.	A(+)		
USB	Communication and power supply	USB Type B	The USB port, communicate with controller, is used for power supply and data changing between module and controller. POWER indicator is normally light and USB indicator flashes.

5 TYPICAL APPLICATION

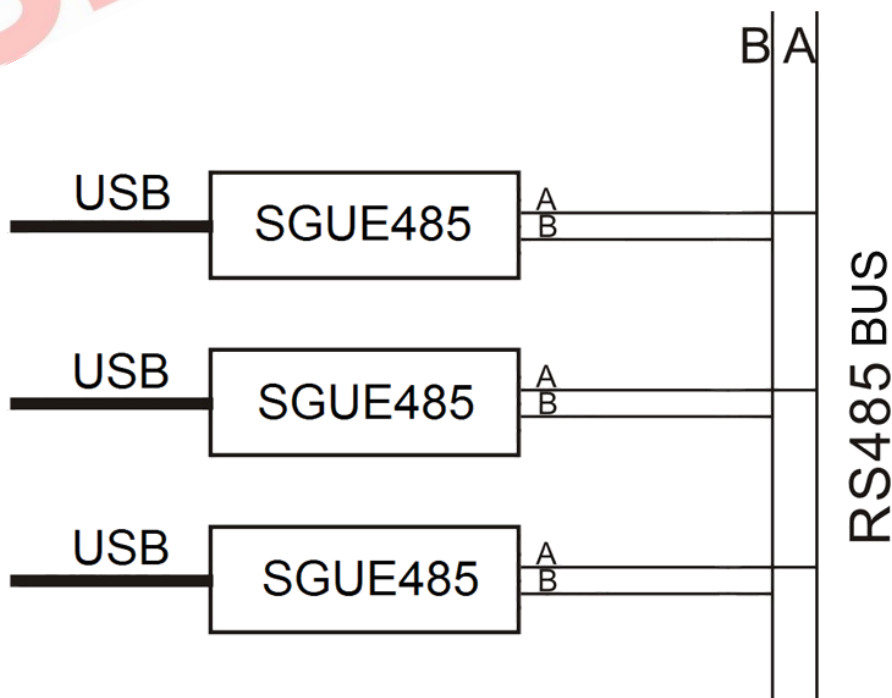
Single Unite Networking Connection:



Multi-controller Networking Connection:



RS485 Communication Bus Connection:



Remark:

- 1) Please make sure USB indicator is under flash status before SGUE485 module communicates with controller; if not, SGUE485 is powered again.
- 2) Please set each controller's communication address (different from each other) before networking.

6 CASE DIAMENTSIONS AND INSTALLATION

