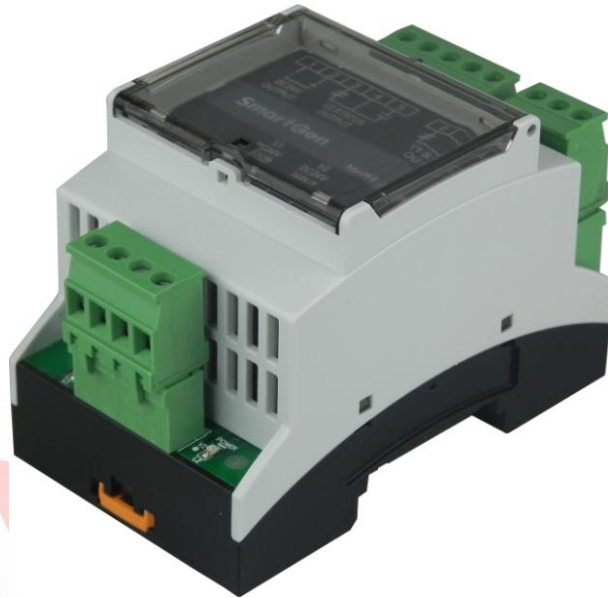




SmartGen
ideas for power

BTM300
DUAL-POWER TRANSFER MODULE
USER MANUAL



SMARTGEN (ZHENGZHOU) TECHNOLOGY CO., LTD.



Chinese trademark

SmartGen English trademark

SmartGen — make your generator *smart*

SmartGen Technology Co., Ltd.

No.28 Jinsuo Road

Zhengzhou

Henan Province

P. R. China

Tel: 0086-371-67988888/67981888

0086-371-67991553/67992951

0086-371-67981000(overseas)

Fax: 0086-371-67992952

Web: www.smartgen.com.cn

www.smartgen.cn

Email: sales@smartgen.cn

All rights reserved. No part of this publication may be reproduced in any material form (including photocopying or storing in any medium by electronic means or other) without the written permission of the copyright holder.

Applications for the copyright holder's written permission to reproduce any part of this publication should be addressed to Smartgen Technology at the address above.

Any reference to trademarked product names used within this publication is owned by their respective companies.

SmartGen Technology reserves the right to change the contents of this document without prior notice.

Software Version

Date	Version	Note
2017-06-01	1.0	Original release.

CONTENTS

1 OVERVIEW	4
2 PERFORMANCE AND CHARACTERISTICS	4
3 SPECIFICATION OPERATION	4
4 INDICATORS AND TERMINALS FUNCTIONS DESCRIPTION.....	5
5 FUNCTION DESCRIPTION.....	6
6 TYPICAL APPLICATION.....	6
7 OVERALL DIMENSION	7

SmartGen

1 OVERVIEW

BTM300 Dual-power Transfer Module is especially designed for dual DC power transferring to realize generator-set uninterruptible power supply output with double power sources input. It is automatically choose output power source based on the voltage situation.

BTM300 is widely used in Marine and stationary generation units with compact structure and easy installation.

2 PERFORMANCE AND CHARACTERISTICS

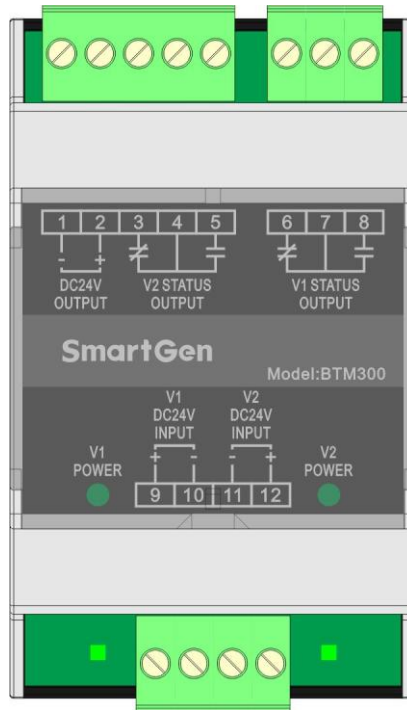
- a) Suit for dual-power DC power supply system.
- b) According to the voltage situation select power supply. Choose V2 if both are available; and choose V1 if V2 is unavailable.
- c) Corresponding LED indicators will display the situation of V1 and V2; meanwhile, relevant relays start output.
- d) 35mm guide rail installation or M4 screw mounting.
- e) Modular design and pluggable connection terminals; compact structure with easy mounting.

3 SPECIFICATION OPERATION

Items	Contents
Input	Both power supplies are DC24V 1A.
Output	DC24V 1A
Relay Output	DC 28V 7A Volt free
Max Power Consumption	≤1.5W
Case Dimension	53.6mm x 89.7mm x 60.7mm
Working Conditions	Temperature: (-25~+70)°C; Humidity: (20~95)%
Storage Condition	Temperature: (-25~+70)°C
Net Weight	0.16kg

4 INDICATORS AND TERMINALS FUNCTIONS DESCRIPTION

BTM300 front terminal drawing is shown as follow,



LED indicators functions description is shown as follows,

Indicators	Color	Function Description	Remark
V1 Power	Green	V1 power supply indicator; light is on when power is available.	
V2 Power	Green	V2 power supply indicator; light is on when power is available.	

Terminals connection description is shown as follow,

No.	Function	Cable Size	Remark	
1	DC V Output-	1mm ²		
2	DC V Output+	1mm ²		
3	V2 Output	Normally Closed	Output when V2 is available; switch off when V2 is unavailable.	Relay normally open/closed contacts with rated current 7A, volt free contact output.
4		COM		
5		Normally Open		
6	V1 Output	Normally Closed	Output when V1 is available; switch off when V1 is unavailable.	Relay normally open/closed contacts with rated current 7A, volt free contact output.
7		COM		
8		Normally Open		
9	DC V1 input +	1mm ²	Connect to positive electrode of powered device, V1 is standby power supply.	
10	DC V1 input -	1mm ²	Connect to negative electrode of powered device.	

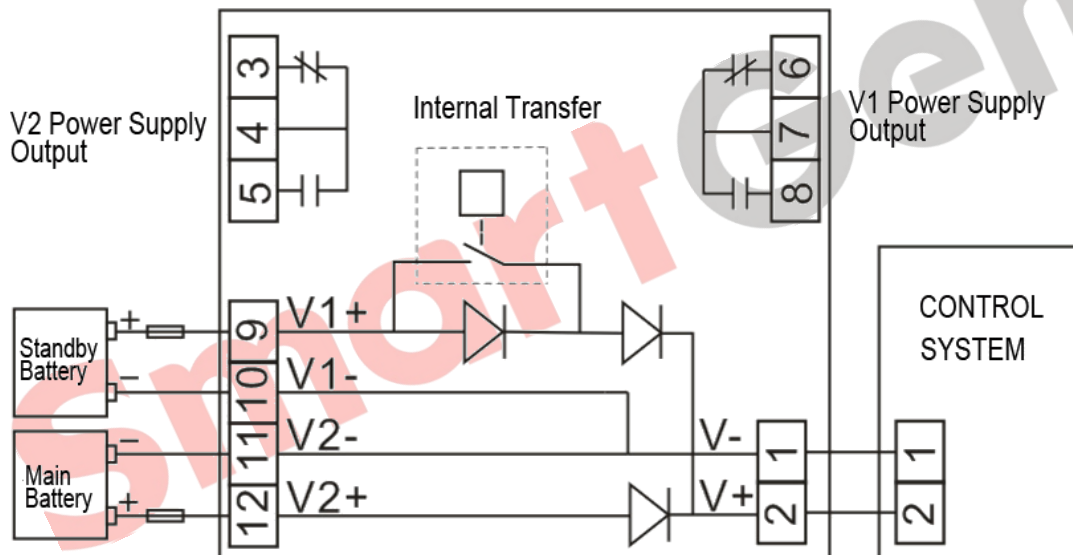
No.	Function	Cable Size	Remark
11	DC V2 input -	1mm ²	Connect to positive electrode of powered device, V2 is main power supply.
12	DC V2 input +	1mm ²	Connect to positive electrode of powered device.

5 FUNCTION DESCRIPTION

BTM300 Dual-power Transfer Module is aiming at to provide uninterrupted power supply to realize dual-power seamless switching.

The mainly function of BTM300 is to select power source according to the voltage situation of double power supply. V2 is main power source, thus module will select V2 when both power are available, which means output voltage V is supplied by V2; When V1 is available, LED besides V1 POWER lights up and V1 relay OUTPUT action initiate; When V2 is available, LED besides V2 POWER lights up and V2 relay OUTPUT action initiate.

6 TYPICAL APPLICATION



7 OVERALL DIMENSION

