

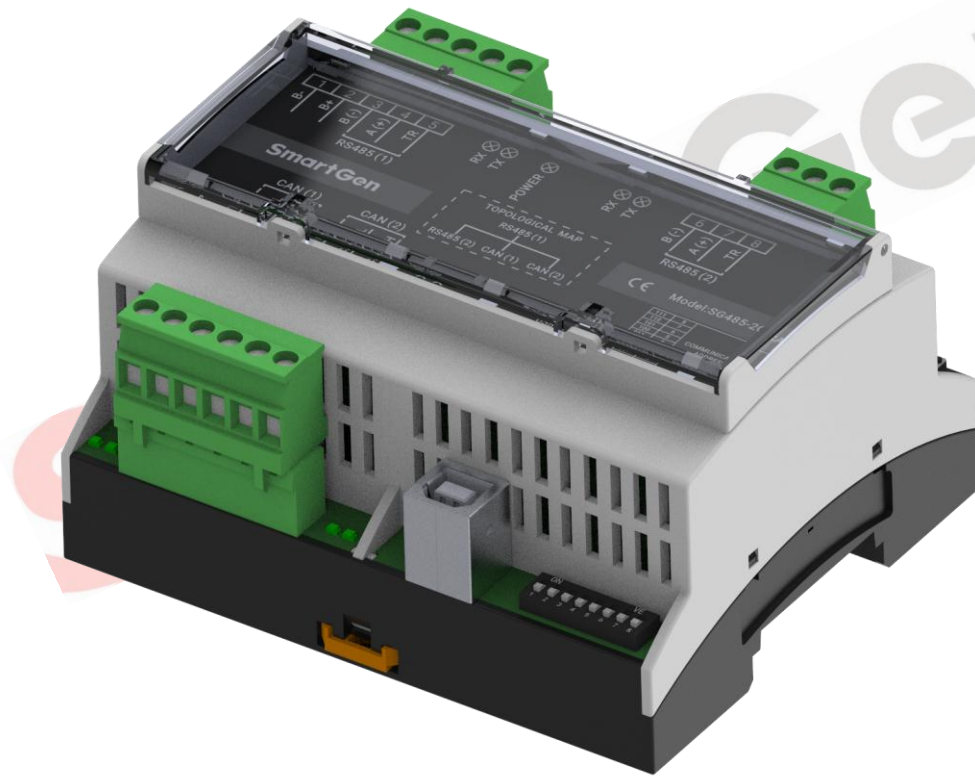


SmartGen
ideas for power

SG485-2CAN

COMMUNICATION INTERFACE CONVERSION MODULE

USER MANUAL



SMARTGEN (ZHENGZHOU) TECHNOLOGY CO., LTD.



Chinese trademark

SmartGen English trademark

SmartGen – make your generator *smart*

SmartGen Technology Co., Ltd.

No.28 Jinsuo Road

Zhengzhou

Henan Province

P. R. China

Tel: +86-371-67988888/67981888/67992951

+86-371-67981000(overseas)

Fax: +86-371-67992952

Web: www.smartgen.com.cn/

www.smartgen.cn/

Email: sales@smartgen.cn

All rights reserved. No part of this publication may be reproduced in any material form (including photocopying or storing in any medium by electronic means or other) without the written permission of the copyright holder.

Applications for the copyright holder's written permission to reproduce any part of this publication should be addressed to Smartgen Technology at the address above.

Any reference to trademarked product names used within this publication is owned by their respective companies.

SmartGen Technology reserves the right to change the contents of this document without prior notice.

Table 1 Software Version

Date	Version	Note
2021-08-18	1.0	Original release.
2021-11-06	1.1	Modify some descriptions.



CONTENTS

1 OVERVIEW.....	4
2 PERFORMANCE AND CHARACTERISTICS.....	4
3 SPECIFICATION	4
4 WIRING	5
5 ELECTRICAL CONNECTION DIAGRAM.....	6
6 OVERALL DIMENSION AND INSTALLATION.....	7

SmartGen

1 OVERVIEW

SG485-2CAN is a communication interface conversion module, which has 4 interfaces, namely RS485 host interface, RS485 slave interface and two CANBUS interfaces. It is used to convert 1# RS485 interface to 2# CANBUS interfaces and 1# RS485 interface by DIP switch to set address, providing convenience for customers to monitor and collect data.

2 PERFORMANCE AND CHARACTERISTICS

Its main characteristics are as follows:

- With 32-bit ARM SCM, high hardware integration, improved reliability;
- 35mm guide rail installation method;
- Modular design and pluggable connection terminals; compact structure with easy mounting.

3 SPECIFICATION

Table 2 Performance Parameters

Items	Contents
Working Voltage	DC8V~DC35V
RS485 Interface	Baud rate: 9600bps Stop bit: 2-bit Parity bit: None
CANBUS Interface	250kbps
Case Dimension	107.6mmx93.0mmx60.7mm (LxWxH)
Working Temperature	(-40~+70)°C
Working Humidity	(20~93)%RH
Storage Temperature	(-40~+80)°C
Protection Level	IP20
Weight	0.2kg

4 WIRING

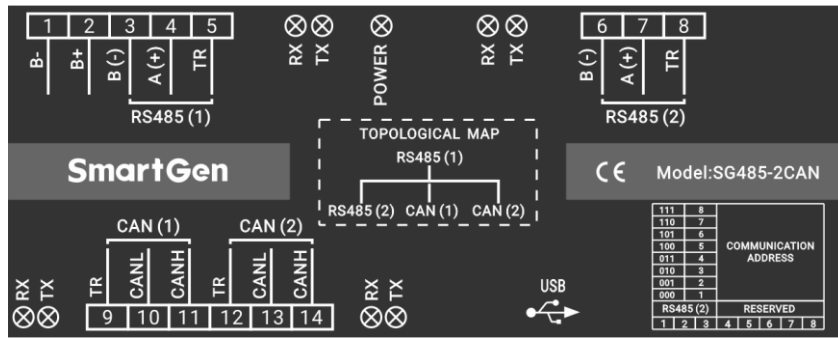


Fig.1 Mask Diagram

Table 3 Indicators Description

No.	Indicator	Description
1.	POWER	Power indicator, always on when powered on.
2.	TX	RS485/CANBUS interface TX indicator, it flashes 100ms when sending data.
3.	RX	RS485/CANBUS interface RX indicator, it flashes 100ms when receiving data.

Table 4 Wiring Terminals Description

No.	Function	Cable Size	Remark
1.	B-	1.0mm ²	DC power negative.
2.	B+	1.0mm ²	DC power positive.
3.	RS485(1)	0.5mm ²	B(-)
4.			A(+)
5.			TR
6.	RS485(2)	0.5mm ²	B(-)
7.			A(+)
8.			TR
9.	CAN(1)	0.5mm ²	TR
10.			CANL
11.			CANH
12.	CAN(2)	0.5mm ²	TR
13.			CANL
14.			CANH
/	USB	Software download and upgrade interface	/

Table 5 Communication Address Setting

Communication Address Setting								
Address	RS485(2)			Reserved				
DIP Switch No.	1	2	3	4	5	6	7	8
Corresponding relation between dial switch combination and communication address	000: 1			Keep the DIP address, it has no effect on communication no matter how it is set.				
	001: 2							
	010: 3							
	011: 4							
	100: 5							
	101: 6							
	111: 8							

5 ELECTRICAL CONNECTION DIAGRAM

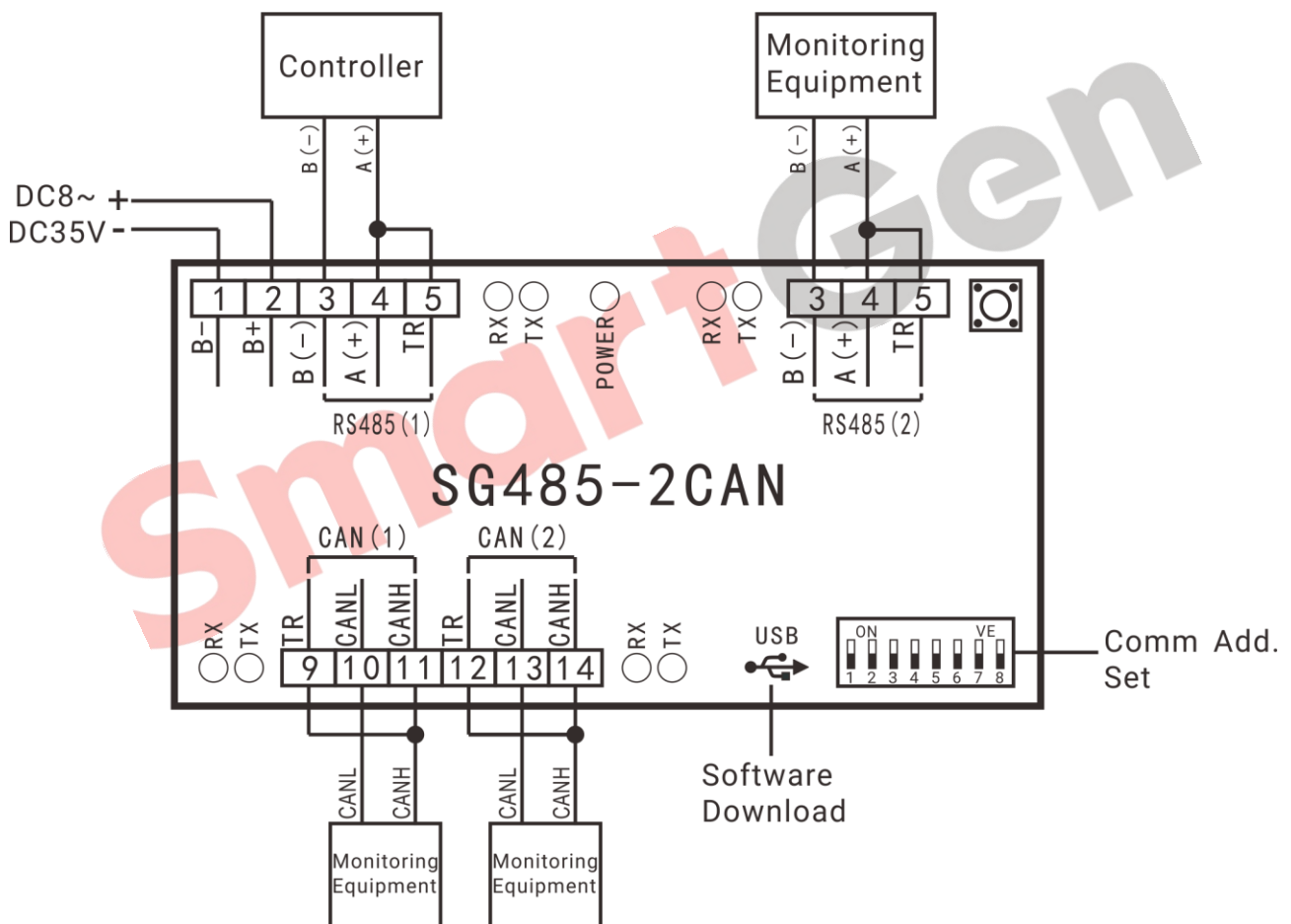


Fig.2 Electrical Connection Diagram



6 OVERALL DIMENSION AND INSTALLATION

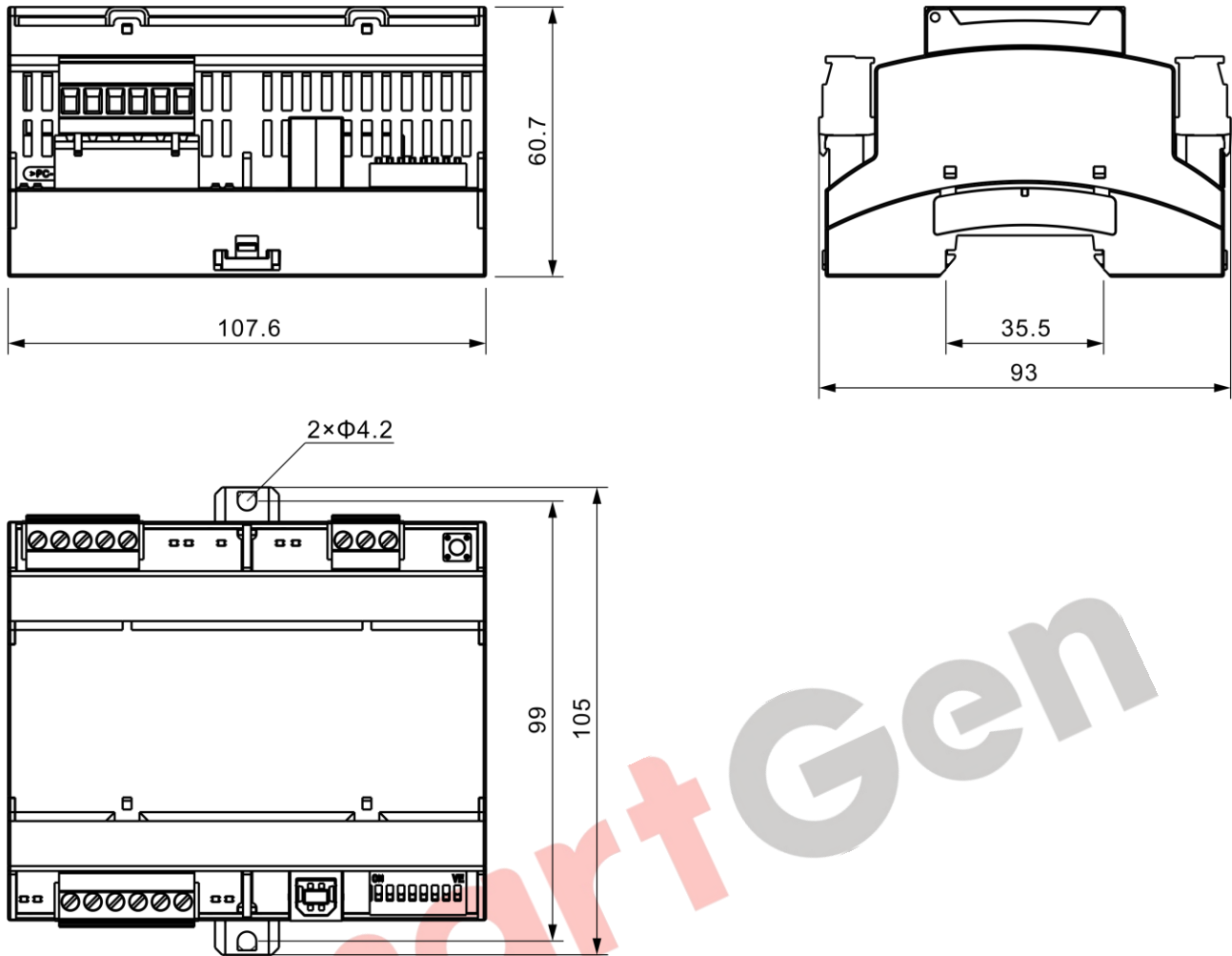


Fig.3 Overall Dimension and Installation (Unit: mm)